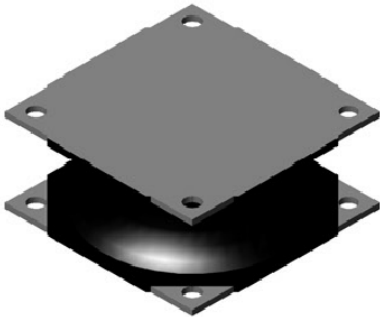
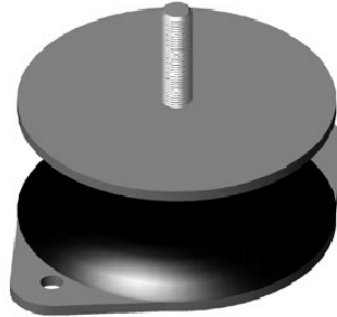


MRP. VIBRATION COMPACTOR MOUNTING MR-2001 TO 2010

MRP. Vibration Roller pad are suitable for varies types of equipment such as Roller Construction Machineries etc. They are available in various sizes and shape according to the equipment. Vibrating pad has excellent vertical shock resistance capabilities to take a load up to 5000 kgs. per pad.



MR-2001 I & R



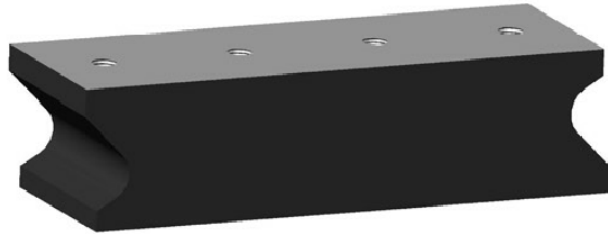
MR-2002 I & R



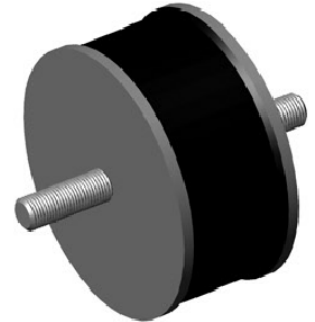
MR-2003 ESCORT



MR-2004 ESCORT SMALL



MR-2005 BOOMEG RECT.



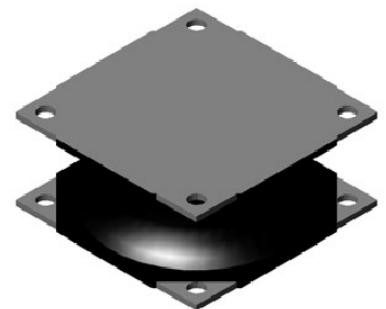
MR-2006 BOOMEG



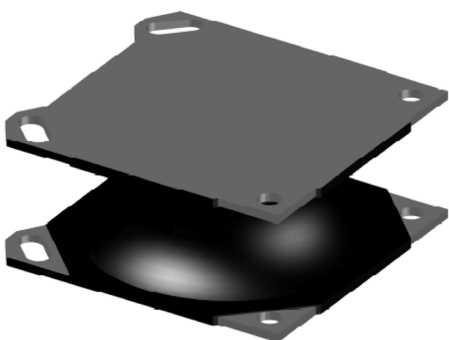
MR-2007 BOOMEG SMALL



MR-2008 L & T



MR-2009 BEETLY



MR-2010 TATA