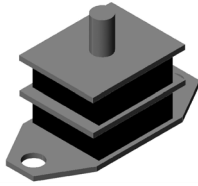


Rectangular mounting also known as sandwich mounting and are widely used for engines in road vehicles & mobile construction plant. Rubber in mountings is bonded between two metal plates with holes at each end for fitting. Some designs incorporate steel interleaves for increased load capacity. The mountings are best used in shear & compression load but may be loaded directly in shear & compression.

TYPICAL APPLICATION

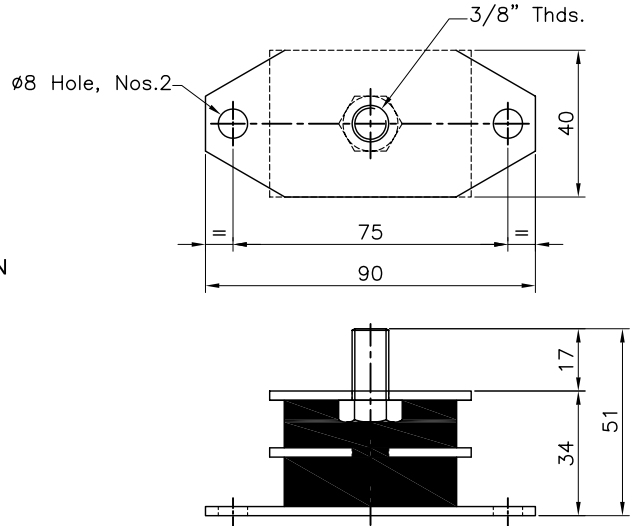
- Lift head gear
- Engine mountings for road vehicles
- Mobile construction plant
- Hoppers
- Heavy plants
- Conveyor System



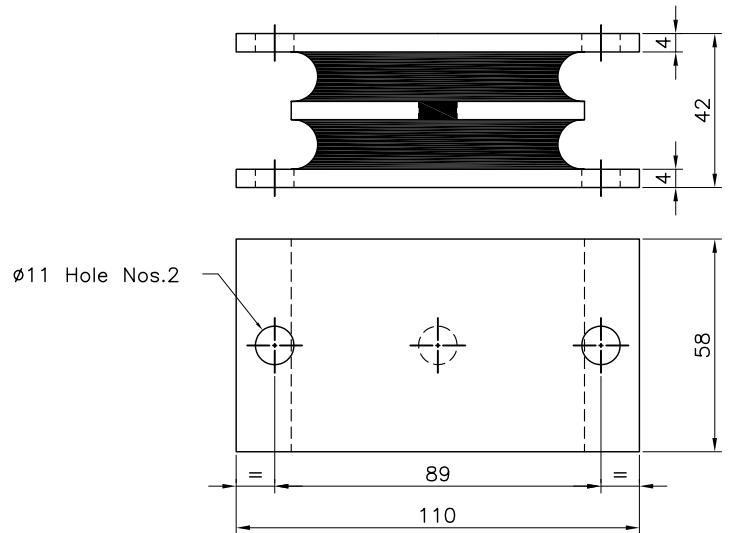
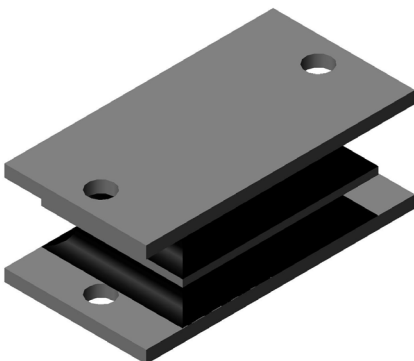
NO.	SIZE	COLOUR CODE	MAX.LOAD CAPACITY (KG.)	DEFLECTION (mm)
01	MR 9002/1	BLUE	98	2.7
02	MR 9002/2	YELLOW	125	2.7
03	MR 9002/3	MREEN	145	2.7
04	MR 9002/4	BROWN	215	2.7
05	MR 9002/5	RED	325	2.7

DESIGN FEATURES

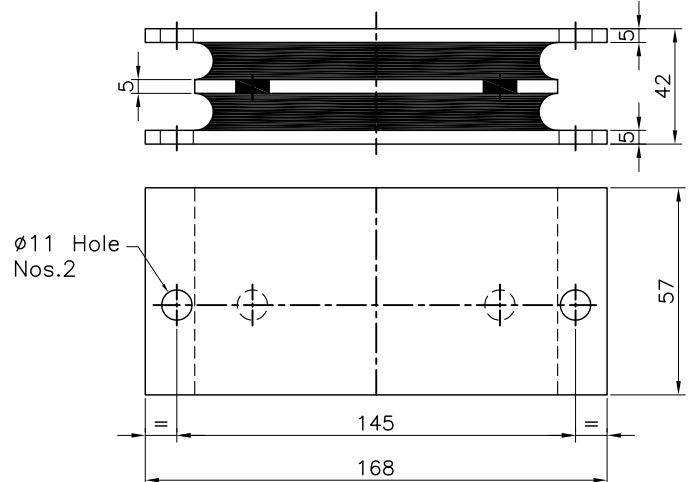
- Moulded in first MRade Natural Rubber.
- Steel metals etch & primed on external surfaces.
- Rectangular mounting should not be used in tension or exposed to contamination by mineral oil.

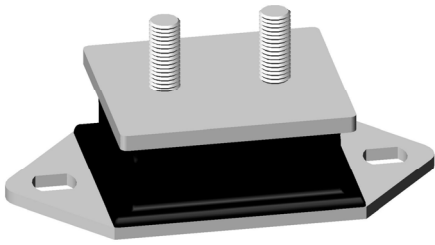


NO.	SIZE	COLOUR CODE	MAX.LOAD CAPACITY (KG.)	DEFLECTION (mm)
01	MR 9001/1	BLUE	130	3
02	MR 9001/2	WHITE	220	3
03	MR 9001/3	MREEN	370	3

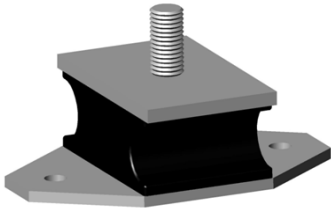
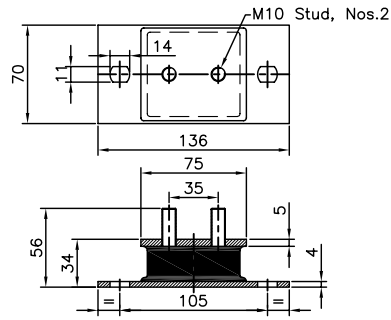


NO.	SIZE	MAX.LOAD CAPACITY (KG.)	DEFLECTION (mm)
01	MR 9005/1	390	3
02	MR 9005/2	600	3
03	MR 9005/3	800	2.5
04	MR 9005/4	1000	2.2
05	MR 9005/5	1800	2

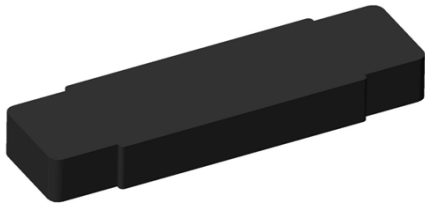
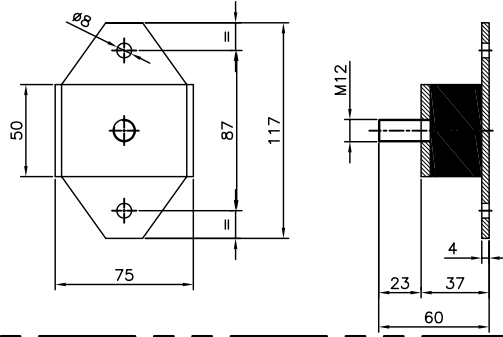




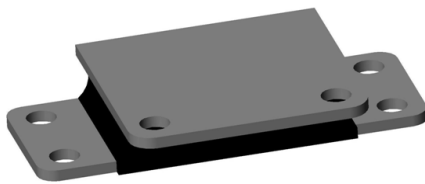
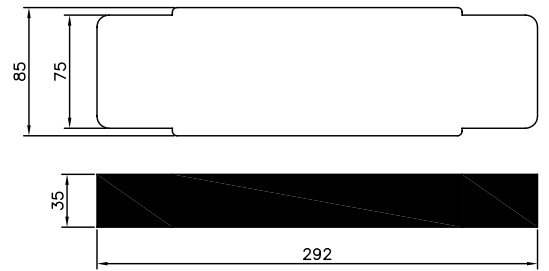
MR - 9003



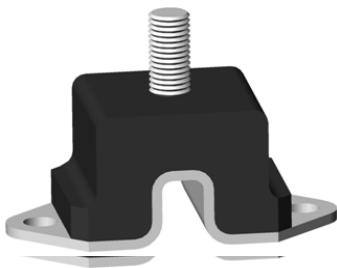
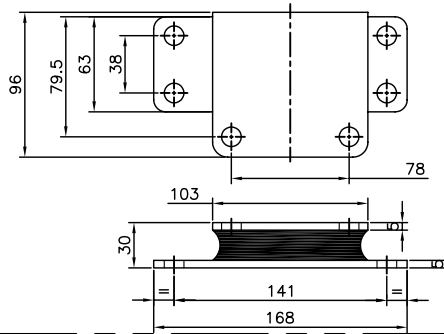
MR - 9004



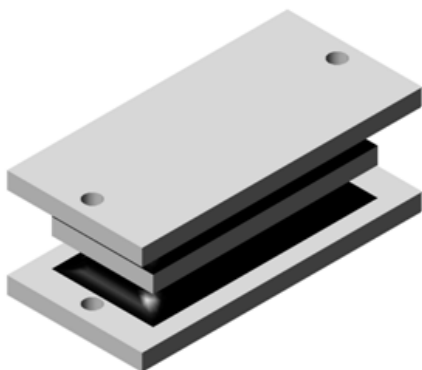
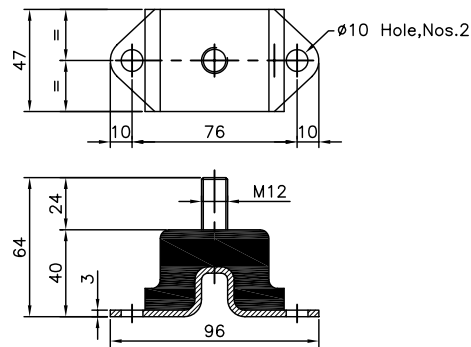
MR - 9006



MR - 9007



MR - 9008



MR - 9009

