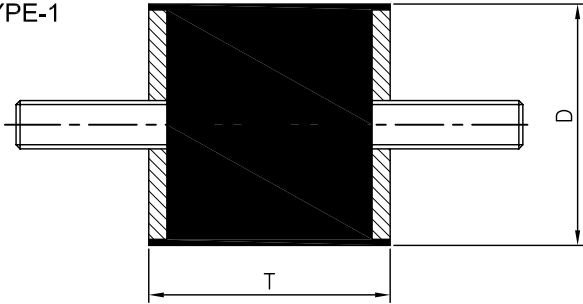


'O' MOUNT AND BUSHES

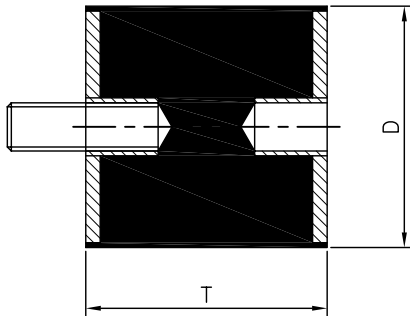
MR "O" type mount are used provided resilient support for small medium size unit in Engineering application

The numerous sizes, types and metal fitting available make possible a wide variety application and design option. " O" mount are used for Compression & shear loading. There are file types of std. mounts. Any other size can be manufactured according requirement.

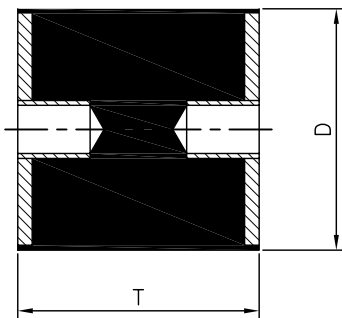
TYPE-1



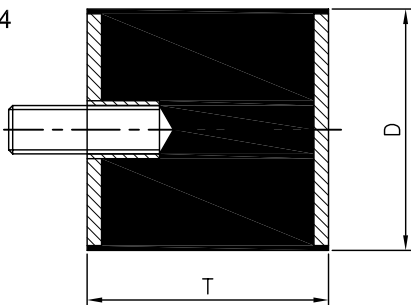
TYPE-2



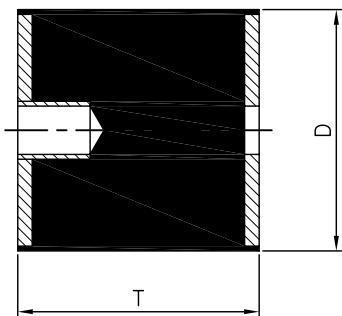
TYPE-3



TYPE-4

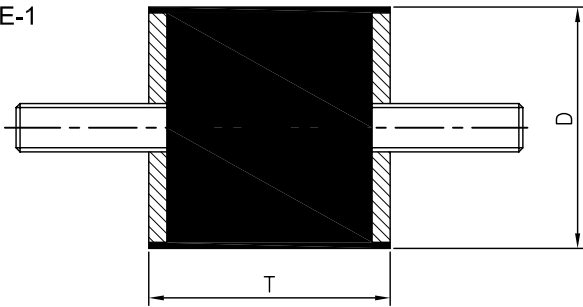


TYPE-5

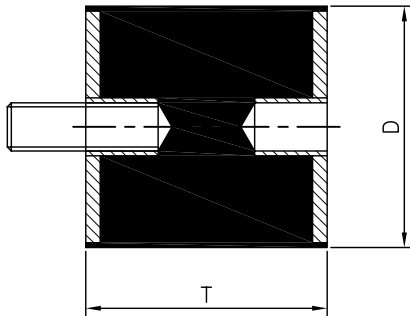


SIZE DxT (mm)		MAX LOAD (KG)	STATIC DEFL. (MM)	THREAD SIZE	
				BOLT	NUT
19x19	1	18	3	M6x19L.	M6x6 Dp
	2	25	3		
	3	35	3		
20x20	1	18	3	M6x19L.	M6x6 Dp
	2	25	3		
	3	35	3		
25x25	1	30	3.5	M6x1Px13L.	M6x1Px6 Dp
	2	45	3.5		
	3	60	3.5		
25x30	1	37	3	M8x125Px20L.	M6x1Px6 Dp
	2	52	3		
	3	73	3		
30x30	1	45	3	M9x1.25Px17L.	M8x1.25Px6 Dp
	2	75	3		
	3	125	3		
40x40	1	43	6	M10x1.5Px15L.	M8x1.25Px6 Dp
	2	67	6		
	3	85	6		
50x40	1	65	6	M10x1.5Px22L.	M10x1.5Px22 Dp
	2	110	6		
	3	150	6		
50x50	1	76	5	M10x1.5Px22L.	M10x1.5Px12 Dp
	2	100	5		
	3	120	5		
60x50	1	110	3	M12x1.75Px27L.	M12x1.75Px15 Dp
	2	145	3		
	3	185	3		
60x60	1	110	6.5	M12x1.75Px27L.	M12x1.75Px15 Dp
	2	150	6.5		
	3	200	6.5		
80x60	1	300	8	M12x1.75Px30L.	M12x1.75Px20 Dp
	2	400	8		
	3	520	8		
80x75	1	205	10	M12x1.75Px30L.	M12x1.75Px20 Dp
	2	310	10		
	3	420	10		
100x55	1	250	6	M12x1.75Px30L.	M12x1.75Px20 Dp
	2	325	8		
	3	480	8		
100x90	1	285	12	M12x1.75Px30L.	M12x1.75Px20 Dp
	2	400	12		
	3	540	12		
115x100	1	380	10	M14x2Px35L.	M14x2Px35 Dp
	2	540	10		
	3	720	10		

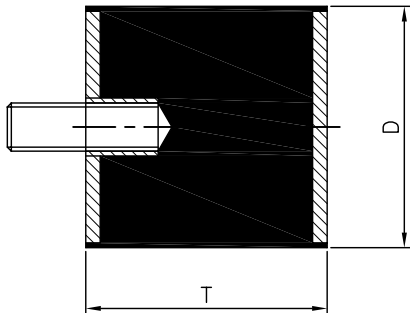
TYPE-1



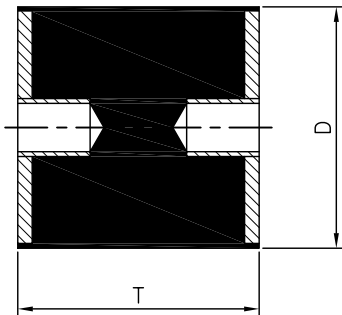
TYPE-2



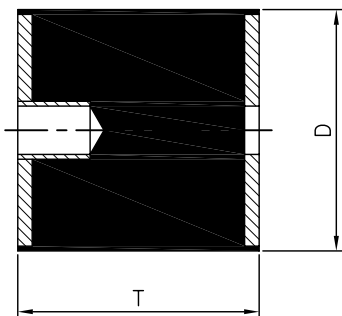
TYPE-3



TYPE-4

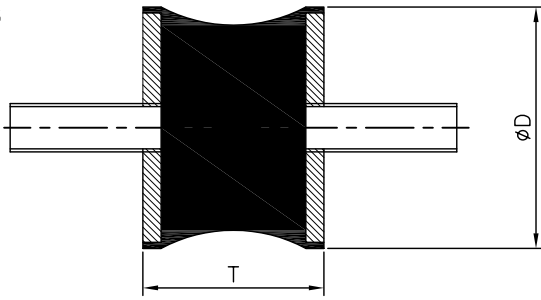


TYPE-5

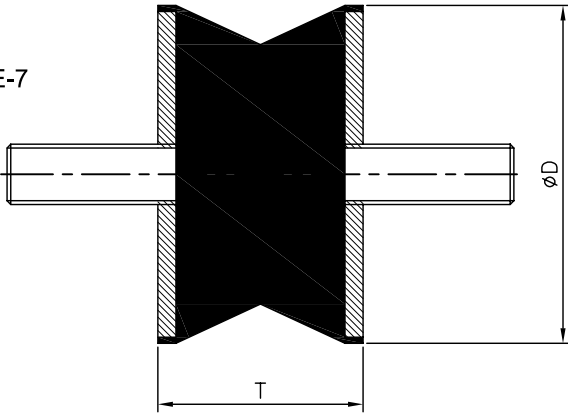


SIZE DxT (mm)		MAX LOAD (KG)	STATIC DEFL. (MM)	THREAD SIZE	
				BOLT	NUT
20x20	1	18	3	M16x19L.	M6x6 Dp
	2	25	3		
	3	35	3		
25x25	1	30	3.5	M6x1Px13L.	M6x1Px6 Dp
	2	45	3.5		
	3	60	3.5		
25x30	1	37	3	M8x125Px20L.	M6x1Px6 Dp
	2	52	3		
	3	73	3		
30x30	1	45	3	M9x1.25Px17L.	M8x1.25Px6 Dp
	2	75	3		
	3	125	3		
40x40	1	43	6	M10x1.5Px15L.	M8x1.25Px6 Dp
	2	67	6		
	3	85	6		
50x40	1	65	6	M10x1.5Px22L.	M10x1.5Px22 Dp
	2	110	6		
	3	150	6		
50x50	1	76	5	M10x1.5Px22L.	M10x1.5Px12 Dp
	2	100	5		
	3	120	5		
60x50	1	110	3	M12x1.75Px27L.	M12x1.75Px15 Dp
	2	145	3		
	3	185	3		
60x60	1	110	6.5	M12x1.75Px27L.	M12x1.75Px15 Dp
	2	150	6.5		
	3	200	6.5		
80x60	1	300	8	M12x1.75Px30L.	M12x1.75Px20 Dp
	2	400	8		
	3	520	8		
80x75	1	205	10	M12x1.75Px30L.	M12x1.75Px20 Dp
	2	310	10		
	3	420	10		
100x55	1	250	6	M12x1.75Px30L.	M12x1.75Px20 Dp
	2	325	8		
	3	480	8		
100x90	1	285	12	M12x1.75Px30L.	M12x1.75Px20 Dp
	2	400	12		
	3	540	12		
115x100	1	380	10	M14x2Px35L.	M14x2Px35 Dp
	2	540	10		
	3	720	10		

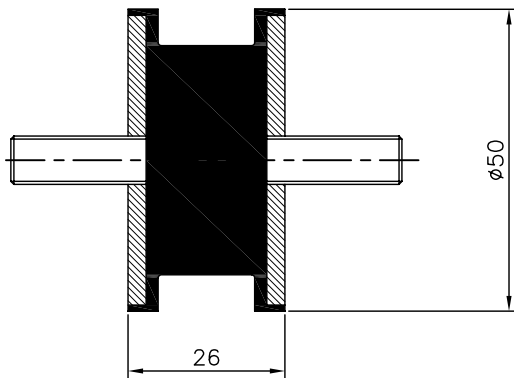
TYPE-6



TYPE-7

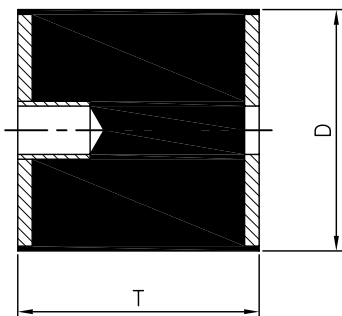


TYPE-7



TYPE-8

TYPE-5



SIZE DxT (mm)		MAX LOAD (KG)	STATIC DEFL. (MM)	THREAD SIZE	
				BOLT	NUT
20x20	1	18	3	M16x19L.	M6x6 Dp
	2	25	3		
	3	35	3		
25x25	1	30	3.5	M6x1Px13L.	M6x1Px6 Dp
	2	45	3.5		
	3	60	3.5		
25x30	1	37	3	M8x125Px20L.	M6x1Px6 Dp
	2	52	3		
	3	73	3		
30x30	1	45	3	M9x1.25Px17L.	M8x1.25Px6 Dp
	2	75	3		
	3	125	3		
40x40	1	43	6	M10x1.5Px15L.	M8x1.25Px6 Dp
	2	67	6		
	3	85	6		
50x40	1	65	6	M10x1.5Px22L.	M10x1.5Px22 Dp
	2	110	6		
	3	150	6		
50x50	1	76	5	M10x1.5Px22L.	M10x1.5Px12 Dp
	2	100	5		
	3	120	5		
60x50	1	110	3	M12x1.75Px27L.	M12x1.75Px15 Dp
	2	145	3		
	3	185	3		
60x60	1	110	6.5	M12x1.75Px27L.	M12x1.75Px15 Dp
	2	150	6.5		
	3	200	6.5		
80x60	1	300	8	M12x1.75Px30L.	M12x1.75Px20 Dp
	2	400	8		
	3	520	8		
80x75	1	205	10	M12x1.75Px30L.	M12x1.75Px20 Dp
	2	310	10		
	3	420	10		
100x55	1	250	6	M12x1.75Px30L.	M12x1.75Px20 Dp
	2	325	8		
	3	480	8		
100x90	1	285	12	M12x1.75Px30L.	M12x1.75Px20 Dp
	2	400	12		
	3	540	12		
115x100	1	380	10	M14x2Px35L.	M14x2Px35 Dp
	2	540	10		
	3	720	10		