

## CUSHYFOOT MOUNTING MR-4001 & 4002

Cushyfoot Mounting are manufactured in two standard sizes known as MR-4001, MR-4002, MR Cushyfoot Mounting consists of two sandwich pieces. These two pieces are housed in specially designed robust iron casting. The mountings are protected against oil, physical & mechanical damages. Cushyfoot mountings give insulation against transverse, vertical and longitudinal stiffness, vibration & reduce transmission of vibrations, structure borne noise & shock from a wide range of rotating and reciprocating machineries. Also protecting sensitive apparatus for external disturbances. It gives insulation against out of balance forces. These mounting has very low natural frequencies, high deflection can be achieved by screwing two cushyfoot mounting together.

### APPLICATION

No. need to bolt the machine. No need of MRouting in rag bolt. The cushyfoot mounting can be supplied with bottom Friction Pads to avoid costly MRouting/Anchoring to floor the equipment. Additionally, shifting of the location of the instrumentation with very less effects.

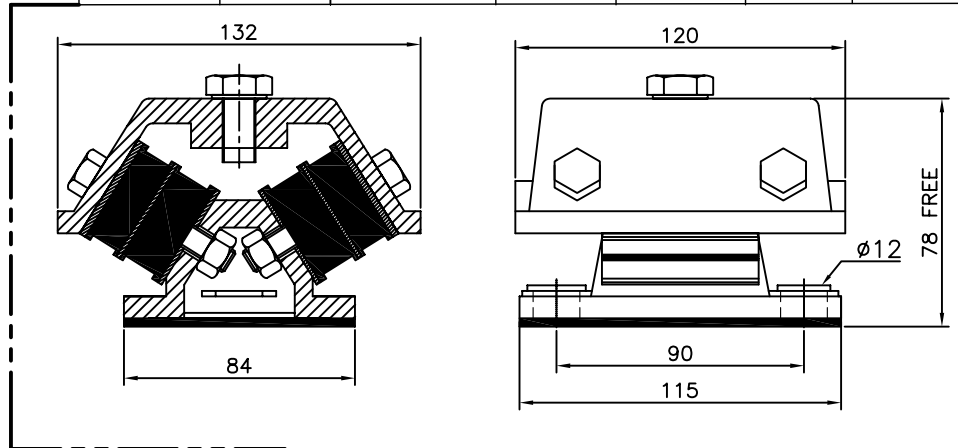
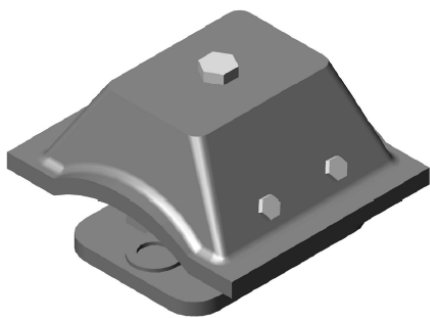
### DESIGN FEATURES

- Inclined rubber sandwich are first MRade natural rubber to metal bonded elements
- Rubber sandwich elements are effectively protected by the top casting and its extended skirt.
- Standard C.I. Castings.
- Two different horizontal stiffness axis enable optimum system characteristics & vibration isolation to be achieved using careful orientation of the mounting.
- Static deflection up to 5.2mm with loads from 80 to 320 kg per mountings.

### TYPICAL APPLICATION

- Lift head gear
- Engine mountings for Road vehicles
- Mobile construction plant
- Hoppers
- Heavy plants
- Conveyor System

| PART NO.  | COLOUR CODE | MAX. LOAD CAPACITY (kg) | HARDNESS SHORE | DEFLECTION (mm) | TOP FIXING HOLE |           |
|-----------|-------------|-------------------------|----------------|-----------------|-----------------|-----------|
|           |             |                         |                |                 | PLAIN           | TAPPED    |
| MR-4001-1 | BLUE        | 80                      | 45             | 5.5             | 10              | M16 & M12 |
| MR-4001-2 | WHITE       | 122                     | 55             | 5.7             |                 |           |
| MR-4001-3 | MREEN       | 165                     | 65             | 6.0             |                 |           |
| MR-4001-4 | YELLOW      | 255                     | 70             | 5.7             |                 |           |
| MR-4001-5 | RED         | 320                     | 80             | 5.2             |                 |           |



| PART NO.  | COLOUR CODE | MAX. LOAD CAPACITY (kg) | HARDNESS SHORE | DEFLECTION (mm) | TOP FIXING HOLE |           |
|-----------|-------------|-------------------------|----------------|-----------------|-----------------|-----------|
|           |             |                         |                |                 | PLAIN           | TAPPED    |
| MR-4002-1 | BLUE        | 260                     | 45             | 6               | 10              | M12 & M16 |
| MR-4002-2 | WHITE       | 525                     | 55             | 5.2             |                 |           |
| MR-4002-3 | MREEN       | 850                     | 65             | 5.2             |                 |           |
| MR-4002-4 | YELLOW      | 1020                    | 70             | 5.2             |                 |           |
| MR-4002-5 | RED         | 1550                    | 80             | 5.2             |                 |           |

